



Professional HEAVY DUTY
GBH 6-42 C

Robert Bosch Power Tools GmbH
70538 Stuttgart
GERMANY

www.bosch-pt.com

1 609 92A 902 (2026.01) PS / 17



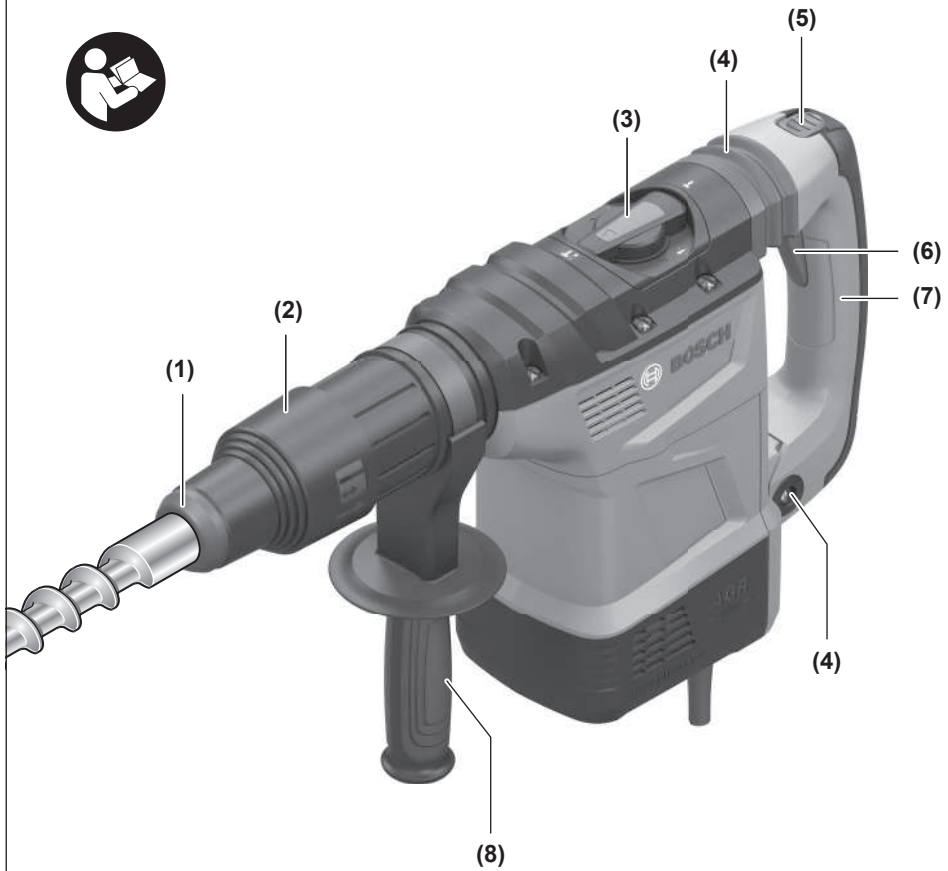
1 609 92A 902



en Original instructions

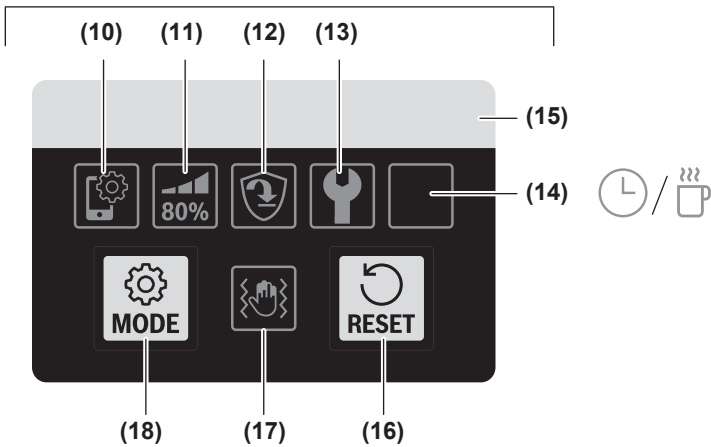








(9)



A**B**

English

Safety Instructions

General Power Tool Safety Warnings

⚠ WARNING Read all safety warnings, instructions, illustrations and specifications provided with this power tool. Failure to follow all instructions listed below may result in electric shock, fire and/or serious injury.

Save all warnings and instructions for future reference.

The term "power tool" in the warnings refers to your mains-operated (corded) power tool or battery-operated (cordless) power tool.

Work area safety

- ▶ **Keep work area clean and well lit.** Cluttered or dark areas invite accidents.
- ▶ **Do not operate power tools in explosive atmospheres, such as in the presence of flammable liquids, gases or dust.** Power tools create sparks which may ignite the dust or fumes.
- ▶ **Keep children and bystanders away while operating a power tool.** Distractions can cause you to lose control.

Electrical safety

- ▶ **Power tool plugs must match the outlet. Never modify the plug in any way. Do not use any adapter plugs with earthed (grounded) power tools.** Unmodified plugs and matching outlets will reduce risk of electric shock.
- ▶ **Avoid body contact with earthed or grounded surfaces, such as pipes, radiators, ranges and refrigerators.** There is an increased risk of electric shock if your body is earthed or grounded.
- ▶ **Do not expose power tools to rain or wet conditions.** Water entering a power tool will increase the risk of electric shock.
- ▶ **Do not abuse the cord. Never use the cord for carrying, pulling or unplugging the power tool. Keep cord away from heat, oil, sharp edges or moving parts.** Damaged or entangled cords increase the risk of electric shock.
- ▶ **When operating a power tool outdoors, use an extension cord suitable for outdoor use.** Use of a cord suitable for outdoor use reduces the risk of electric shock.
- ▶ **If operating a power tool in a damp location is unavoidable, use a residual current device (RCD) protected supply.** Use of an RCD reduces the risk of electric shock.

Personal safety

- ▶ **Stay alert, watch what you are doing and use common sense when operating a power tool. Do not use a power tool while you are tired or under the influence of drugs, alcohol or medication.** A moment of inatten-

tion while operating power tools may result in serious personal injury.

- ▶ **Use personal protective equipment. Always wear eye protection.** Protective equipment such as a dust mask, non-skid safety shoes, hard hat or hearing protection used for appropriate conditions will reduce personal injuries.
- ▶ **Prevent unintentional starting. Ensure the switch is in the off-position before connecting to power source and/or battery pack, picking up or carrying the tool.** Carrying power tools with your finger on the switch or engaging power tools that have the switch on invites accidents.
- ▶ **Remove any adjusting key or wrench before turning the power tool on.** A wrench or a key left attached to a rotating part of the power tool may result in personal injury.
- ▶ **Do not overreach. Keep proper footing and balance at all times.** This enables better control of the power tool in unexpected situations.
- ▶ **Dress properly. Do not wear loose clothing or jewellery. Keep your hair and clothing away from moving parts.** Loose clothes, jewellery or long hair can be caught in moving parts.
- ▶ **If devices are provided for the connection of dust extraction and collection facilities, ensure these are connected and properly used.** Use of dust collection can reduce dust-related hazards.
- ▶ **Do not let familiarity gained from frequent use of tools allow you to become complacent and ignore tool safety principles.** A careless action can cause severe injury within a fraction of a second.

Power tool use and care

- ▶ **Do not force the power tool. Use the correct power tool for your application.** The correct power tool will do the job better and safer at the rate for which it was designed.
- ▶ **Do not use the power tool if the switch does not turn it on and off.** Any power tool that cannot be controlled with the switch is dangerous and must be repaired.
- ▶ **Disconnect the plug from the power source and/or remove the battery pack, if detachable, from the power tool before making any adjustments, changing accessories, or storing power tools.** Such preventive safety measures reduce the risk of starting the power tool accidentally.
- ▶ **Store idle power tools out of the reach of children and do not allow persons unfamiliar with the power tool or these instructions to operate the power tool.** Power tools are dangerous in the hands of untrained users.
- ▶ **Maintain power tools and accessories. Check for misalignment or binding of moving parts, breakage of parts and any other condition that may affect the power tool's operation. If damaged, have the power tool repaired before use.** Many accidents are caused by poorly maintained power tools.

- ▶ **Keep cutting tools sharp and clean.** Properly maintained cutting tools with sharp cutting edges are less likely to bind and are easier to control.
- ▶ **Use the power tool, accessories and tool bits etc. in accordance with these instructions, taking into account the working conditions and the work to be performed.** Use of the power tool for operations different from those intended could result in a hazardous situation.
- ▶ **Keep handles and grasping surfaces dry, clean and free from oil and grease.** Slippery handles and grasping surfaces do not allow for safe handling and control of the tool in unexpected situations.

Service

- ▶ **Have your power tool serviced by a qualified repair person using only identical replacement parts.** This will ensure that the safety of the power tool is maintained.

Hammer Safety Warnings

Safety instructions for all operations

- ▶ **Wear ear protectors.** Exposure to noise can cause hearing loss.
- ▶ **Use auxiliary handle(s), if supplied with the tool.** Loss of control can cause personal injury.
- ▶ **Hold the power tool by insulated gripping surfaces, when performing an operation where the cutting accessory may contact hidden wiring or its own cord.** Cutting accessory contacting a "live" wire may make exposed metal parts of the power tool "live" and could give the operator an electric shock.

Safety instructions when using long drill bits with rotary hammers

- ▶ **Always start drilling at low speed and with the bit tip in contact with the workpiece.** At higher speeds, the bit is likely to bend if allowed to rotate freely without contacting the workpiece, resulting in personal injury.
- ▶ **Apply pressure only in direct line with the bit and do not apply excessive pressure.** Bits can bend, causing breakage or loss of control, resulting in personal injury.

Additional safety information

- ▶ **Use suitable detectors to determine if utility lines are hidden in the work area or call the local utility company for assistance.** Contact with electric lines can lead to fire and electric shock. Damaging a gas line can lead to explosion. Penetrating a water line causes property damage or may cause an electric shock.
- ▶ **Always wait until the power tool has come to a complete stop before placing it down.** The application tool can jam and cause you to lose control of the power tool.
- ▶ **Secure the workpiece.** A workpiece clamped with clamping devices or in a vice is held more secure than by hand.
- ▶ **Products sold in GB only:**
Your product is fitted with an BS 1363/A approved electric plug with internal fuse (ASTA approved to BS 1362). If the plug is not suitable for your socket outlets, it should

be cut off and an appropriate plug fitted in its place by an authorised customer service agent. The replacement plug should have the same fuse rating as the original plug.

The severed plug must be disposed of to avoid a possible shock hazard and should never be inserted into a mains socket elsewhere.

- ▶ **Do not touch any application tools or adjacent housing components shortly after operation.** These can become very hot during operation and cause burns.
- ▶ **The application tool may jam during drilling. Make sure you have a stable footing and hold the power tool firmly with both hands.** Otherwise you could lose control of the power tool.
- ▶ **Take care when carrying out demolition work using the chisel.** Falling fragments of the demolition material could injure you or any bystanders.
- ▶ **Hold the power tool firmly with both hands and make sure you have a stable footing.** The power tool can be more securely guided with both hands.
- ▶ **Caution! When using the power tool with Bluetooth®, a fault may occur in other devices and systems, aeroplanes and medical devices (e.g. pacemakers, hearing aids). Also, damage to people and animals in the immediate vicinity cannot be completely excluded. Do not use the power tool with Bluetooth® in the vicinity of medical devices, petrol stations, chemical plants, areas with a potentially explosive atmosphere or in blasting areas. Do not use the power tool with Bluetooth® in aircraft. Avoid using the product near your body for extended periods.**

The *Bluetooth®* word mark and logos are registered trademarks owned by Bluetooth SIG, Inc. Any use of such marks by Robert Bosch Power Tools GmbH is under license.

Symbols

The following symbols may be important for the operation of your power tool. Please take note of these symbols and their meaning. Correctly interpreting the symbols will help you to operate the power tool more effectively and safely.

Symbols and their meaning



To change the application tool, pull back the locking sleeve.



Tool data logging is enabled in this tool.

Symbols and their meaning



Wireless connectivity tool with built-in *Bluetooth*® technology

Product Description and Specifications



Read all the safety and general instructions.

Failure to observe the safety and general instructions may result in electric shock, fire and/or serious injury.

Please observe the illustrations at the beginning of this operating manual.

Intended Use

The power tool is intended for hammer drilling in concrete, masonry and stone, as well as for chiselling work.

With the built-in *Bluetooth*® Low Energy Module, power tool data and settings are transferred between the power tool and a mobile device by means of *Bluetooth*® wireless technology.

Product Features

The numbering of the product features refers to the diagram of the power tool on the graphics page.

- (1) Dust protection cap
- (2) Locking sleeve
- (3) Mode selector switch
- (4) Vibration damping
- (5) Lock-on button for on/off switch
- (6) On/off switch
- (7) Handle (insulated gripping surface)
- (8) Auxiliary handle (insulated gripping surface)
- (9) User interface
- (10) "Favourite" working mode indicator (user interface):
Individual configuration via smartphone app
- (11) "Soft" working mode indicator (user interface):
Reduced power for processing sensitive materials
- (12) Rapid shut-off indicator (user interface)
- (13) Maintenance indicator (user interface)
- (14) Rest reminder indicator (user interface)
- (15) Power tool status indicator (user interface)
- (16) Reset button (user interface)
- (17) Vibration warning indicator (user interface)
- (18) Working mode button (user interface)

Technical Data

Rotary hammer		GBH 6-42 C
Article number		3 611 B78 0..
Rated power input	W	1300
Rated speed	min ⁻¹	0–360
Impact rate	min ⁻¹	0–3100
Tool holder		SDS max
Lubrication		Central permanent lubrication
Max. drilling diameter		
– Concrete (with hammer drill bit)	mm	42
– Concrete (with break-through drill bit)	mm	55
– Concrete (with hollow core bit)	mm	100
Weight ^{A)}	kg	7.7
Protection class		□ / II
Data Transfer		
<i>Bluetooth</i> ®		<i>Bluetooth</i> ® 4.2 (Low Energy) ^{B)}
Signal interval	s	1
Max. signal range ^{C)}	m	30

- A) With auxiliary handle (8), without mains connection cable
- B) The mobile devices must be compatible with *Bluetooth*® Low Energy devices (version 4.2) and support the Generic Access Profile (GAP).
- C) The signal range may vary greatly depending on external conditions, including the receiving device used. The *Bluetooth*® range may be significantly weaker inside closed rooms and through metallic barriers (e.g. walls, shelving units, cases, etc.).

The specifications apply to a rated voltage [U] of 230 V. These specifications may vary at different voltages and in country-specific models.

Values can vary depending on the product, scope of application and environmental conditions. To find out more, visit www.bosch-professional.com/wac.

Noise/Vibration Information

Noise emission values determined according to **EN IEC 62841-2-6**.

Typically, the A-weighted noise level of the power tool is: Sound pressure level **99** dB(A); sound power level **107** dB(A). Uncertainty K = **3** dB.

Wear hearing protection!

Vibration values a_h (continuous vibrations), p_f (repeated shock vibrations) and uncertainty K determined according to **EN IEC 62841-2-6**:

Hammer drilling in concrete: $a_{h,HD} = 12.1$ m/s² (K = **1.5** m/s²), $p_{F,HD} = 542$ m/s² (K = **71** m/s²)

Chiselling: $a_{h,CHeq} = 8.9$ m/s² (K = **1.5** m/s²), $p_{F,CHeq} = 315$ m/s² (K = **55** m/s²)

The vibration level and noise emission value given in these instructions have been measured in accordance with a

standardised measuring procedure and may be used to compare power tools. They may also be used for a preliminary estimation of vibration and noise emissions.

The stated vibration level and noise emission value represent the main applications of the power tool. However, if the power tool is used for other applications, with different accessories or is poorly maintained, the vibration level and noise emission value may differ. This may significantly increase the vibration and noise emissions over the total working period.

To estimate vibration and noise emissions accurately, the times when the tool is switched off or when it is running but not actually being used should also be taken into account. This may significantly reduce vibration and noise emissions over the total working period.

Implement additional safety measures to protect the operator from the effects of vibration, such as servicing the power tool and accessories, keeping their hands warm, and organising workflows correctly.

Assembly

- ▶ **Pull the plug out of the socket before carrying out any work on the power tool.**

Auxiliary handle

- ▶ **Do not operate your power tool without the auxiliary handle (8).**
- ▶ **Make sure that the auxiliary handle is always tightened.** Otherwise you could lose control of the power tool when working.

Swivelling the Auxiliary Handle

You can swivel the auxiliary handle (8) to any angle for a safe work posture that minimises fatigue.

- Turn the lower gripping end of the auxiliary handle (8) anticlockwise and swivel the auxiliary handle (8) into the required position. Then turn the lower gripping end of the auxiliary handle (8) clockwise to retighten it. Make sure that the retaining strap of the auxiliary handle slots into the corresponding groove of the housing.

Changing the tool

The dust protection cap (1) largely prevents the penetration of drilling dust into the tool holder during operation. When inserting the tool, make sure that the dust protection cap (1) does not become damaged.

- ▶ **Replace a damaged dust protection cap immediately. It is recommended that you have use an after-sales service for this.**

Inserting the Application Tool (see figure A)

With the SDS max tool holder, you can change the application tool simply and easily without additional aids.

- Clean and lightly grease the shank of the application tool.
- Push the locking sleeve (2) back and insert the application tool by turning it into the tool holder. Release the locking sleeve (2) to lock the application tool.

- Check that it is locked by pulling on the tool.

Removing the application tool (see figure B)

- Push the locking sleeve (2) back and remove the application tool.

Dust Reduction

Do not perform work without taking dust-reducing measures. Depending on the intended application, the power tool can be combined with a dust-reducing accessory together with a dust extractor.

Always use suitable breathing protection. The regulations on the materials being machined that apply in the country of use must be observed.

Requirements for the Dust Extractor		
Recommended hose nominal diameter	mm	35
Required vacuum pressure ^{A)}	mbar	≥ 230
	hPa	≥ 230
Required flow rate ^{A)}	l/s	≥ 36
	m ³ /h	≥ 129.6
Recommended filter efficiency		Dust class M ^{B)}

A) Power value at the power tool's dust extractor connection

B) According to IEC/EN 60335-2-69

Refer to the dust extractor's instructions. If there is reduced suction power, stop working and eliminate the cause.

Operation

- ▶ **Products that are only sold in AUS and NZ:** Use a residual current device (RCD) with a nominal residual current of 30 mA or less.
- ▶ **The power tool with built-in Bluetooth® Low Energy Module GCY 301-42 is equipped with a radio interface. Local operating restrictions, e.g. in aircraft or hospitals, must be observed.**

Start-up

- ▶ **Pay attention to the mains voltage.** The voltage of the power source must match the voltage specified on the rating plate of the power tool.

Setting the operating mode

The operating mode of the power tool is selected using the mode selector switch (3).

- To change the operating mode, turn the mode selector switch (3) to the required position.



Position for **hammer drilling**

If the application tool does not start rotating straight away, run the power tool slowly until the application tool starts rotating.



Vario-Lock position for changing the chiselling position



Position for **chiselling**

Note: Only change the operating mode when the power tool is switched off. The power tool is automatically switched off if you change the operating mode during ongoing operation.

Switching On/Off

- To **switch on** the power tool, press the on/off switch **(6)**. For low temperatures, the power tool reaches the full hammer/impact capacity only after a certain time.
- To **lock** the on/off switch **(6)**, press and hold it while also pushing the lock-on button **(5)**.
- To **switch off** the power tool, release the on/off switch **(6)**.
If the on/off switch **(6)** is locked, press the lock-off button **(5)** first and then release it.

User interface

The user interface **(9)** is used to select the working mode and to indicate the status of the power tool.

Status indicators

Power tool status indicator (15)	Meaning/cause	Solution
–	Power tool is switched off	–
Green	Power tool is switched on and ready to use	–
Yellow	Critical temperature of electronics reached. The power of the power tool is throttled in order to prevent damage.	Run the power tool at no load and allow it to cool down until the indicator (15) lights up green again
Yellow – In combination with lit maintenance indicator (13)	Regular power tool maintenance due soon	Send the power tool to the after-sales service
Yellow – In combination with flashing maintenance indicator (13)	Regular power tool maintenance due	Switch off the power tool immediately and send it to the after-sales service
Red	Power tool has overheated. The power tool is switched off in order to prevent damage to the electronics.	Leave the power tool to cool down. Only when the indicator (15) lights up green upon switching on is the power tool ready for use again.

Adjusting the speed/impact rate

You can adjust the speed/impact rate of the power tool when it is on by pressing in the on/off switch **(6)** to varying extents.

Applying light pressure to the on/off switch **(6)** results in a low rotational speed/impact rate. Applying increasing pressure to the switch increases the speed/impact rate.

You can also control the speed on the user interface and/or via a smartphone app.

Changing the chiselling position (Vario-Lock)

You can lock the chisel in **12** different positions, allowing you to select the optimum working position for each task.

- Insert the chisel into the tool holder.
- Turn the mode selector switch **(3)** to the "Vario-Lock" position.
- Turn the application tool to the required chisel position.
- Turn the mode selector switch **(3)** to the "chiselling" position. With this, the tool holder is locked.

Rapid shut-off (KickBack Control)



The rapid shut-off function (KickBack Control) gives the user greater control over the power tool and offers them better protection than power tools that do not have KickBack Control.

If the power tool suddenly and unforeseeably rotates around the drilling axis, it will switch off, the rapid shut-off indicator **(12)** will light up red and the status indicator **(15)** will flash red.

- To **switch the tool back on**, release the on/off switch **(6)** and then press it again.

Power tool status indicator (15)	Meaning/cause	Solution
	Restart protection is triggered. The power tool is prevented from starting up again following a power outage (e.g. if the mains plug is removed during operation) in order to prevent injuries.	Switch off the power tool and restore the power supply. Then switch the power tool on again.
	Lock-on button pressed in "hammer drilling" operating mode	Press the lock-on button again
	Rotation stop switch activated during operation	Turn the power tool off and on again
	General error	<ul style="list-style-type: none"> – Turn the power tool off and on again – Disconnect the power tool from the power supply and reconnect it If the error persists: <ul style="list-style-type: none"> – Send the power tool to the after-sales service
Flashing red – In combination with the lit rapid shut-off indicator (12)	Rapid shut-off is triggered.	Press the lock-on button and release the on/off switch

Selecting the working mode

Press the **(18)** button for selecting the working mode repeatedly until the working mode you require lights up.

Note: The functions are preset in **Auto** and **Soft** work modes. In **Favorite** working mode, the preset functions can be configured via a smartphone app.

	Working mode		
	Auto	Soft	Favorite
Indicator on the user interface	–	Indicator (11) lights up white	Indicator (10) lights up white
Performance	100 %	Reduced power (80 %) for processing sensitive materials	Individual configuration via smartphone app Default setting: 90 %
Soft start (Electronic Precision Control)	Fast, controlled run-up to maximum power	Controlled run-up up to a reduced, low power	Individual configuration via smartphone app Default setting: Fast run-up
Sensitivity of the rapid shut-off (KickBack Control)	Standard	Standard	Individual configuration via smartphone app Default setting: Standard
High Altitude Mode (Atmospheric pressure compensation if the power tool does not start in Auto mode at great height)	Off	Off	Individual configuration via smartphone app Default setting: Off

Note: Press and hold the button **(16)** for longer than 6 seconds in order to reset the **Favorite** working mode to the factory settings (reset).

Connectivity functions

System Requirements for Using the App

System Requirements	
Mobile device (tablet, smartphone)	Android 6.0 (and newer)

System Requirements

iOS 11 (and newer)

Installing and Setting up the App

You will need to install the device-specific app before you can use the connectivity functions.



- Download the app from the corresponding app store (Apple App Store, Google Play Store).

Note: You will need to have a user account with the relevant app store to do this.

- Then select the **MyTools** or **Connectivity** sub-item in the app.

The display of your mobile device shows you all of the subsequent steps required to connect the power tool to the mobile device.

Data transfer via Bluetooth®

The built-in *Bluetooth*® Low Energy Module sends a signal at regular intervals. Depending on ambient conditions, multiple transmission intervals may be required before the power tool is detected. If the power tool is not detected, check the following:

- Is the distance to the mobile device too great?
Reduce the distance between the mobile device and the power tool.
- Switch *Bluetooth*® off and on again on your mobile device.
Check whether the power tool has now been detected.

Functions in Conjunction with the Power Tool

In conjunction with the *Bluetooth*® Low Energy module **GCY 301-42**, the following connectivity functions are available for the power tool:

- Registration and personalisation

Rest Reminder Function

The **rest reminder** function (indicator **(14)**) helps you prevent bodily fatigue during daily work.

You can configure and reset the function via a smartphone app (default setting: Function deactivated).

Note: The **rest reminder** function can be reset with the button **(16)** if the set working time has expired and the rest reminder indicator **(14)** lights up red.

Rest reminder indicator (14)	Meaning/cause
Green	Rest reminder function is activated. Setting options for working time via smartphone app: <ul style="list-style-type: none"> – 30 minutes – 1 hour
Red	Set working time expired. If the set working time has expired, the power tool stays in operation until the motor stops or the power tool is switched off. The power tool can be switched on again after a pause of 10 minutes.

Daily Vibration Warning Function

The **daily vibration warning** function (indicator **(17)**) helps you comply with the legally determined exposure limit value (ELV) during work. This prevents hand-arm vibration syndrome.

You can activate and deactivate the function via a smartphone app (default setting: Function deactivated).

Note: If the **daily vibration warning** function is activated, the timer for the daily operating time can be restarted by pressing the button **(16)**.

Vibration warning indicator (17)	Meaning/cause
Green	Daily vibration warning function is activated.
Red	Daily operating time has reached the exposure limit value (ELV).

- Status check, output of warning and error messages
- General information and settings
- Management

You can find further information in the Help menu in the app.

Practical advice

- ▶ **The power tool with built-in *Bluetooth*® Low Energy Module GCY 301-42 is equipped with a radio interface. Local operating restrictions, e.g. in aircraft or hospitals, must be observed.**

Overload clutch

- ▶ **If the application tool jams or snags, the power transmission to the drill spindle will be interrupted. Always hold the power tool firmly with both hands to withstand the forces this may create and adopt a position with stable footing.**
- ▶ **Switch the power tool off immediately and remove the application tool if the power tool becomes blocked. Switching on when the application tool is blocked may cause high torque reactions.**

Vibration damping



The integrated vibration damping function reduces the generated vibration.

- ▶ **Do not continue to use the power tool if the damping element is damaged.**

Vibration warning indicator (17)	Meaning/cause
----------------------------------	---------------

- | | |
|--|---|
| – In combination with power tool status indicator (15) lit up in red | The power tool switches off automatically.
– Finish work or ask another person to continue the work. |
|--|---|

Sharpening Chisels

Only sharp chiselling tools will produce good results, therefore sharpen your chiselling tools in good time before use. This will ensure a long service life for the tools and good work results.

Re-sharpening

Grind chiselling tools against sanding discs, e.g. aluminium oxide, under a steady stream of water. Make sure that the cutting edges show no annealing colours; this will impair the hardness of the chiselling tools.

To **forge** a chisel, heat it to 850–1050 °C (pale red to yellow).

To **harden** a chisel, heat it to approx. 900 °C and quench in oil. Then, leave it in an oven for approx. one hour at 320 °C (annealing colour: pale blue).

Maintenance and Service

Maintenance and cleaning

- ▶ **Pull the plug out of the socket before carrying out any work on the power tool.**
- ▶ **To ensure safe and efficient operation, always keep the power tool and the ventilation slots clean.**

In order to avoid safety hazards, if the power supply cord needs to be replaced, this must be done by **Bosch** or by an after-sales service centre that is authorised to repair **Bosch** power tools.

- ▶ **Replace a damaged dust protection cap immediately. It is recommended that you have use an after-sales service for this.**

- Clean the tool holder after each use.

Lubrication

The power tool is lubricated with grease and is ready for immediate use.

The lubricating grease should only be changed during maintenance or commissioning carried out by an after-sales service centre authorised to work with Bosch power tools. It is crucial that only lubricating grease provided by Bosch is used.

After-Sales Service and Application Service

Australia

Phone: (01300) 307044

Great Britain

Tel. Service: (0344) 7360109

GB Importer:

Robert Bosch Ltd.
Broadwater Park
North Orbital Road

Uxbridge
UB9 5HJ

India

Phone: (044) 64561816

Israel

Tel. 03-9630050

Korea

Tel.: 080-955-0909 (Hotline)

Malaysia

Tel.: (03) 79663194

In all correspondence and spare parts orders, please always include the 10-digit article number given on the nameplate of the product.

Disposal

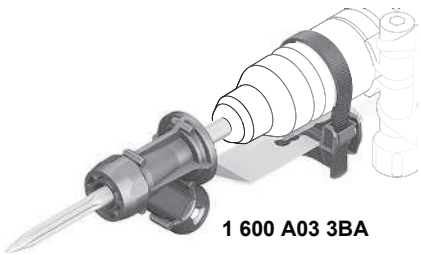
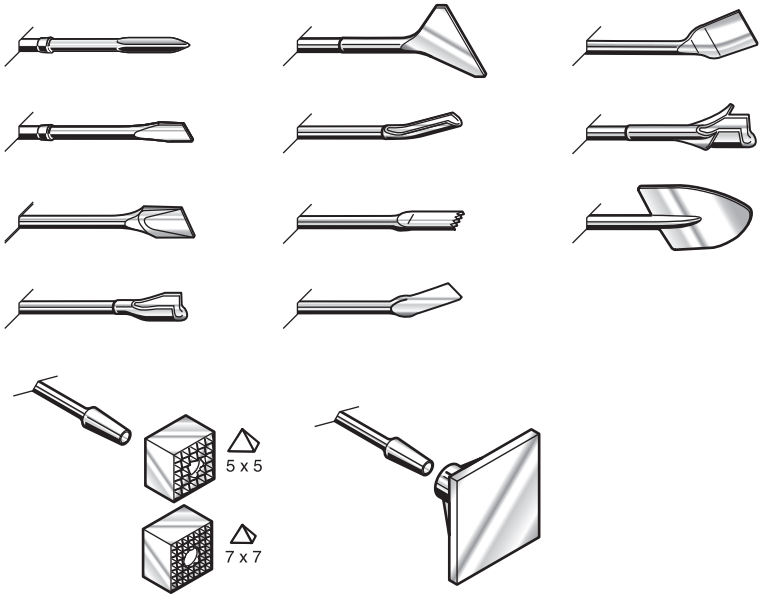
The power tool, accessories and packaging should be recycled in an environmentally friendly manner.



Do not dispose of power tools along with household waste.

Only for EU countries and United Kingdom:

Electrical and electronic equipment that is no longer suitable for use must be collected separately and disposed of in an environmentally friendly manner. Use the designated collection systems. Incorrect disposal may cause harmful effects on the environment and human health, due to the potential presence of hazardous substances.



1 600 A03 3BA



1 600 A00 1G7



2 608 901 476



1 600 A00 1G8



2 608 901 477



2 608 002 021

Legal Information and Licenses

1 - Open Source Components

1.1 - CMSIS_5 - Apache

2.0 Copyright (c) 2009-2020 Arm Limited. All rights reserved. Licensed under the Apache License, Version 2.0 (the "License"); you may not use this file except in compliance with the License. You may obtain a copy of the License at <http://www.apache.org/licenses/LICENSE-2.0>

Unless required by applicable law or agreed to in writing, software distributed under the License is distributed on an "AS IS" BASIS, WITHOUT WARRANTIES OR CONDITIONS OF ANY KIND, either express or implied. See the License for the specific language governing permissions and limitations under the License.

1.2 - ST_Startup

Copyright (c) 2018 STMicroelectronics.

Licensed under the Apache License, Version 2.0 (the "License"); you may not use this file except in compliance with the License. You may obtain a copy of the License at <http://www.apache.org/licenses/LICENSE-2.0>

Unless required by applicable law or agreed to in writing, software distributed under the License is distributed on an "AS IS" BASIS, WITHOUT WARRANTIES OR CONDITIONS OF ANY KIND, either express or implied. See the License for the specific language governing permissions and limitations under the License.

1.3 - Nanopb

Copyright (c) 2011 Petteri Aimonen <jpa at nanopb.mail.kapsi.fi>

This software is provided 'as-is', without any express or implied warranty. In no event will the authors be held liable for any damages arising from the use of this software.

Permission is granted to anyone to use this software for any purpose, including commercial applications, and to alter it and redistribute it freely, subject to the following restrictions:

1. The origin of this software must not be misrepresented; you must not claim that you wrote the original software. If you use this software in a product, an acknowledgment in the product documentation would be appreciated but is not required.
2. Altered source versions must be plainly marked as such, and must not be misrepresented as being the original software.
3. This notice may not be removed or altered from any source distribution.

2 - Common License

2.1 - Apache License 2.0

Apache License

Version 2.0, January 2004

<http://www.apache.org/licenses/>

TERMS AND CONDITIONS FOR USE, REPRODUCTION, AND DISTRIBUTION

1. Definitions.

"License" shall mean the terms and conditions for use, reproduction, and distribution as defined by Sections 1 through 9 of this document.

"Licensor" shall mean the copyright owner or entity authorized by the copyright owner that is granting the License.

"Legal Entity" shall mean the union of the acting entity and all other entities that control, are controlled by, or are under common control with that entity. For the purposes of this definition, "control" means (i) the power, direct or indirect, to cause the direction or management of such entity, whether by contract or otherwise, or (ii) ownership of fifty percent (50%) or more of the outstanding shares, or (iii) beneficial ownership of such entity.

"You" (or "Your") shall mean an individual or Legal Entity exercising permissions granted by this License.

"Source" form shall mean the preferred form for making modifications, including but not limited to software source code, documentation source, and configuration files.

"Object" form shall mean any form resulting from mechanical

translation or translation of a Source form, including but not limited to compiled object code, generated documentation, and conversions to other media types.

"Work" shall mean the work of authorship, whether in Source or Object form, made available under the License, as indicated by a copyright notice that is included in or attached to the work (an example is provided in the Appendix below).

"Derivative Works" shall mean any work, whether in Source or Object form, that is based on (or derived from) the Work and for which the editorial revisions, annotations, elaborations, or other modifications represent, as a whole, an original work of authorship. For the purposes of this License, Derivative Works shall not include works that remain separable from, or merely link (or bind by name) to the interfaces of, the Work and Derivative Works thereof.

"Contribution" shall mean any work of authorship, including the original version of the Work and any modifications or additions to that Work or Derivative Works thereof, that is intentionally submitted to Licensor for inclusion in the Work by the copyright owner or by an individual or Legal Entity authorized to submit on behalf of the copyright owner. For the purposes of this definition, "submitted" means any form of electronic, verbal, or written communication sent to the Licensor or its representatives, including but not limited to communication on electronic mailing lists, source code control systems, and issue tracking systems that are managed by, or on behalf of, the Licensor for the purpose of discussing and improving the Work, but excluding communication that is conspicuously marked or otherwise designated in writing by the copyright owner as "Not a Contribution."

"Contributor" shall mean Licensor and any individual or Legal Entity on behalf of whom a Contribution has been received by Licensor and subsequently incorporated within the Work.

2. Grant of Copyright License. Subject to the terms and conditions of this License, each Contributor hereby grants to You a perpetual, worldwide, non-exclusive, no-charge, royalty-free, irrevocable copyright license to reproduce, prepare Derivative Works of, publicly display, publicly perform, sublicense, and distribute the Work and such Derivative Works in Source or Object form.

3. Grant of Patent License. Subject to the terms and conditions of this License, each Contributor hereby grants to You a perpetual, worldwide, non-exclusive, no-charge, royalty-free, irrevocable (except as stated in this section) patent license to make, have made, use, offer to sell, sell, import, and otherwise transfer the Work, where such license applies only to those patent claims licensable by such Contributor that are necessarily infringed by their Contribution(s) alone or by combination of their Contribution(s) with the Work to which such Contribution(s) was submitted. If You institute patent litigation against any entity (including a cross-claim or counterclaim in a lawsuit) alleging that the Work or a Contribution incorporated within the Work constitutes direct or contributory patent infringement, then any patent licenses granted to You under this License for that Work shall terminate as of the date such litigation is filed.

4. Redistribution. You may reproduce and distribute copies of the Work or Derivative Works thereof in any medium, with or without modifications, and in Source or Object form, provided that You meet the following conditions:

- (a) You must give any other recipients of the Work or Derivative Works a copy of this License; and
- (b) You must cause any modified files to carry prominent notices stating that You changed the files; and
- (c) You must retain, in the Source form of any Derivative Works that You distribute, all copyright, patent, trademark, and attribution notices from the Source form of the Work, excluding those notices that do not pertain to any part of the Derivative Works; and
- (d) If the Work includes a "NOTICE" text file as part of its distribution, then any Derivative Works that You distribute must include a readable copy of the attribution notices contained within such NOTICE file, excluding those notices that do not pertain to any part of the Derivative

Works, in at least one of the following places: within a NOTICE text file distributed as part of the Derivative Works; within the Source form or documentation, if provided along with the Derivative Works; or, within a display generated by the Derivative Works, if and wherever such third-party notices normally appear. The contents of the NOTICE file are for informational purposes only and do not modify the License.

You may add Your own attribution notices within Derivative Works that You distribute, alongside or as an addendum to the NOTICE text from the Work, provided that such additional attribution notices cannot be construed as modifying the License. You may add Your own copyright statement to Your modifications and may provide additional or different license terms and conditions for use, reproduction, or distribution of Your modifications, or for any such Derivative Works as a whole, provided Your use, reproduction, and distribution of the Work otherwise complies with the conditions stated in this License.

5. Submission of Contributions. Unless You explicitly state otherwise, any Contribution intentionally submitted for inclusion in the Work by You to the Licensor shall be under the terms and conditions of this License, without any additional terms or conditions. Notwithstanding the above, nothing herein shall supersede or modify the terms of any separate license agreement you may have executed with Licensor regarding such Contributions.

6. Trademarks. This License does not grant permission to use the trade names, trademarks, service marks, or product names of the Licensor, except as required for reasonable and customary use in describing the origin of the Work and reproducing the content of the NOTICE file.

7. Disclaimer of Warranty. Unless required by applicable law or agreed to in writing, Licensor provides the Work (and each Contributor provides its Contributions) on an "AS IS" BASIS, WITHOUT WARRANTIES OR CONDITIONS OF ANY KIND, either express or implied, including, without limitation, any warranties or conditions of TITLE, NON-INFRINGEMENT, MERCHANTABILITY, or FITNESS FOR A PARTICULAR PURPOSE. You are solely responsible for determining the appropriateness of using or redistributing the Work and assume any risks associated with Your exercise of permissions under this License.

8. Limitation of Liability. In no event and under no legal theory, whether in tort (including negligence), contract, or otherwise, unless required by applicable law (such as deliberate and grossly negligent acts) or agreed to in writing, shall any Contributor be liable to You for damages, including any direct, indirect, special, incidental, or consequential damages of any character arising as a result of this License or out of the use or inability to use the Work (including but not limited to damages for loss of goodwill, work stoppage, computer failure or malfunction, or any and all other commercial damages or losses), even if such Contributor has been advised of the possibility of such damages.

9. Accepting Warranty or Additional Liability. While redistributing the Work or Derivative Works thereof, You may choose to offer, and charge a fee for, acceptance of support, warranty, indemnity, or other liability obligations and/or rights consistent with this License. However, in accepting such obligations, You may act only on Your own behalf and on Your sole responsibility, not on behalf of any other Contributor, and only if You agree to indemnify, defend, and hold each Contributor harmless for any liability incurred by, or claims asserted against, such Contributor by reason of your accepting any such warranty or additional liability.

END OF TERMS AND CONDITIONS

Servicekontakte
Service Contacts
Contacts de Service
Contactos de Servicio



<https://www.bosch-pt.com/serviceaddresses>

Garantiebedingungen
Guarantee Conditions
Conditions de Garantie
Condiciones de Garantía



<https://www.bosch-pt.com/guarantee/202507>